

## Mini Keyboard Pump

- Max. vacuum level** : VKX pump **-92 kPa** (-27.16 inHg)  
VKM pump **-85 kPa** (-25.1 inHg)
- Max. flow rate** : VKX pump **23 NI/min** (0.81 scfm)  
VKM pump **26 NI/min** (0.91 scfm)
- Supply air pressure** : **3~6 bar, Max. 7 bar**  
(43.5~87 psi, max 101.5 psi)
- Supply air type** : Dry compressed air
- Working temperature** : -20°C to +80°C
- Noise level** : 50~65 dBA



### Main Advantages

- High efficiency Mini vacuum pump (Multi-Nozzle type).
- Available of individual control.
- Long life time and Low noise level.
- Easy to install and Compact size (10mm).
- Lightweight.
- Built-in check valve.
- Integrated Vacuum Pump, Air supply & vacuum release control valve, Vacuum Switch & Filter, Blowing flow control valve and silencer in a body.

### Order No.

**VKM5 - M6 - A 4 N V**

①                      ② ③                      ④                      ⑤                      ⑥                      ⑦

#### ① Model-Vacuum Flow

VKX5 - 23 NI/min
• <b>VKM5 - 26 NI/min</b>

#### ② Body type

S - single unit
• <b>M - manifold unit</b>
E - manifold unit with central exhaust unit

#### ③ Vacuum Stack

1-1 Stack	• <b>6-6 Stack</b>
2-2 Stack	7-7 Stack
3-3 Stack	8-8 Stack
4-4 Stack	9-9 Stack
5-5 Stack	10-10 Stack

#### ④ Valves

	Air Supply Control Valve	Vacuum Release Control Valve	Vacuum Switch
• <b>A</b>	⊙ (N.C. : Normal Closed)	⊙ (N.C. : Normal Closed)	⊙
B	⊙ (N.O. : Normal open)	⊙ (N.C. : Normal Closed)	⊙
C	⊙ (N.C. : Normal Closed)	⊙ (N.C. : Normal Closed)	
D	⊙ (N.O. : Normal open)	⊙ (N.C. : Normal Closed)	
E	⊙ (N.C. : Normal Closed)		⊙
F	⊙ (N.O. : Normal open)		⊙
G	⊙ (N.C. : Normal Closed)		
H	⊙ (N.O. : Normal open)		
I		⊙ (N.C. : Normal Closed)	⊙
J			⊙
K		⊙ (N.C. : Normal Closed)	

#### ⑤ Vacuum port

• <b>4</b> - Ø4 (O.D: standard)
6 - Ø6 (O.D)

#### ⑥ Non return valve

no mark - standard
• <b>N</b> - non return valve

#### ⑦ Sealing

no mark - standard (NBR)
• <b>V</b> - Viton®
E - EPDM

※ Remark : A...(P)

➡ Output type : PNP open collector

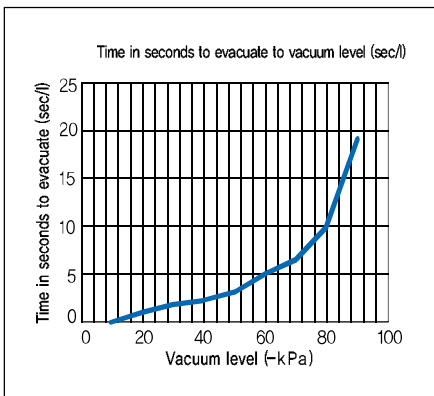
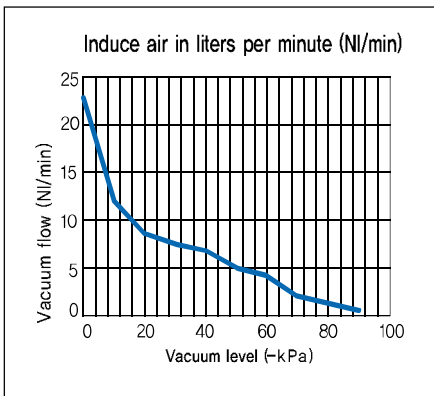
Only DC24V is available for valve  
Connector type with 0,3m lead wire & lamp

## Characteristics

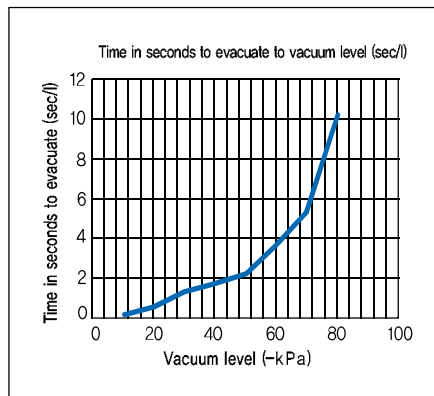
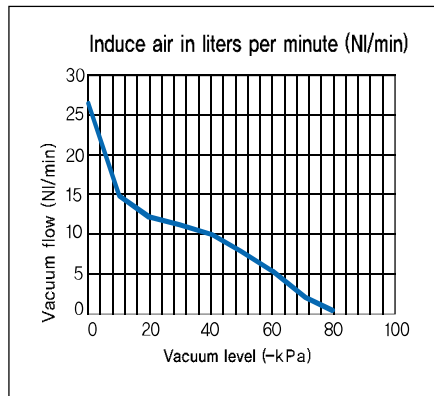
Model	max. vacuum -kPa (-inHg)	Max. vacuum flow (NI/m)/eachstack	air consumption (NI/m)/ each stack	noise level (dBA)	weight (g) /eachstack
VKX5	92 (27.17)	23	13 ~ 22	50~65	96
VKM5	85 (25.1)	26	12 ~ 21	50~65	96

※ Remark : Manifold unit type weight = 86g X N + 22g (N : stack)

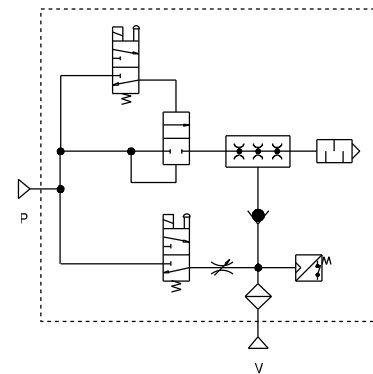
### VKX5



### VKM5

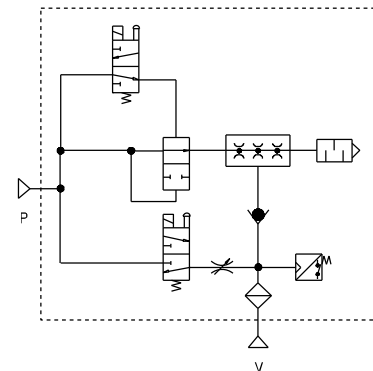


N.C. TYPE



P : Compressed air supply port  
v : Vacuum port

N.O. TYPE



P : Compressed air supply port  
v : Vacuum port

## Induce air in liters per minute (NI/m)

Model	-inHg	0	2.95	5.9	8.85	11.81	14.76	17.71	20.67	23.62	26.57
	-kPa	0	10	20	30	40	50	60	70	80	90
VKX5		23	12	8	7	6	5	4	2.7	1.2	0.45
VKM5		26	15	12	11	10	8	5.5	2.8	0.7	

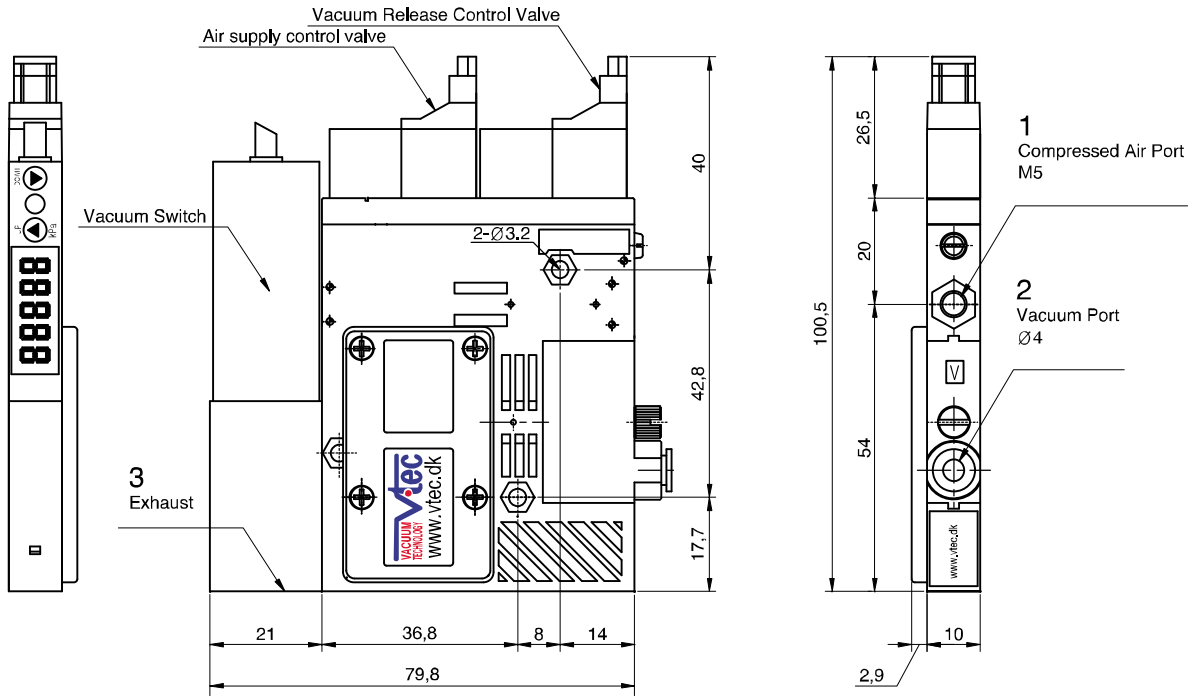
## Time in seconds to evacuate to vacuum level (sec/l)

Model	-inHg	2.95	5.9	8.85	11.81	14.76	17.71	20.67	23.62	26.57
	-kPa	10	20	30	40	50	60	70	80	90
VKX5		0.26	0.80	1.52	2.4	3.38	4.91	6.89	10.16	19
VKM5		0.22	0.56	1.18	1.58	2.36	3.44	5.27	10.22	

## Dimensional Information

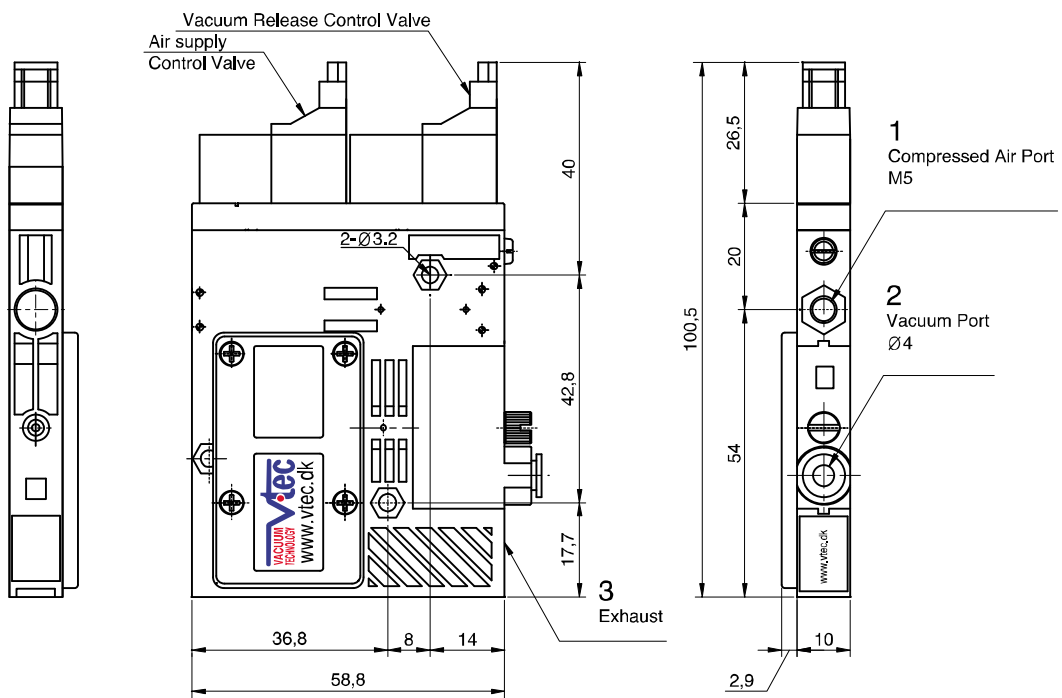
### Single unit

#### Single Unit (A,B - Type)



[ Measure unit : mm ]

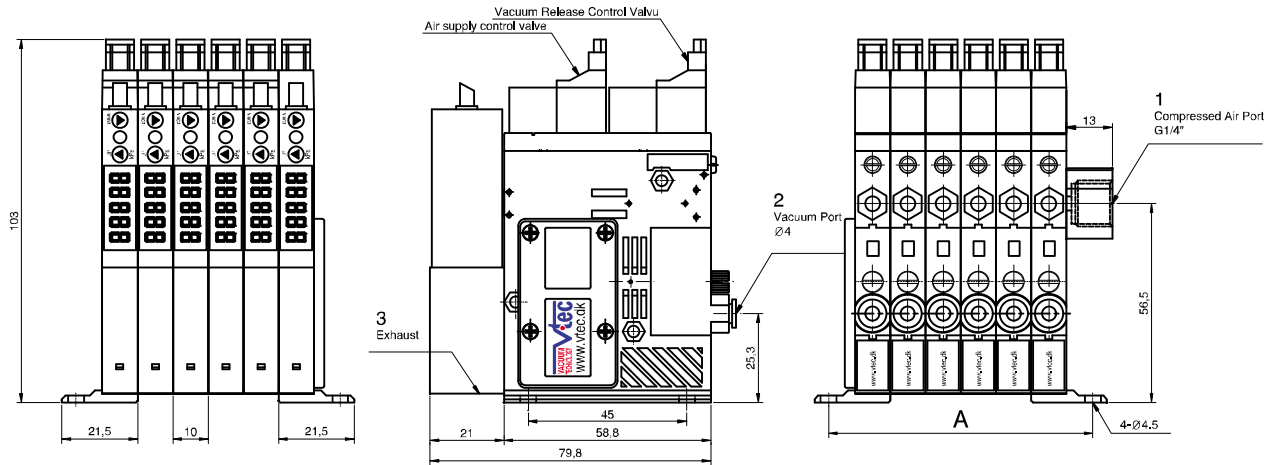
#### Single Unit (C,D - Type)



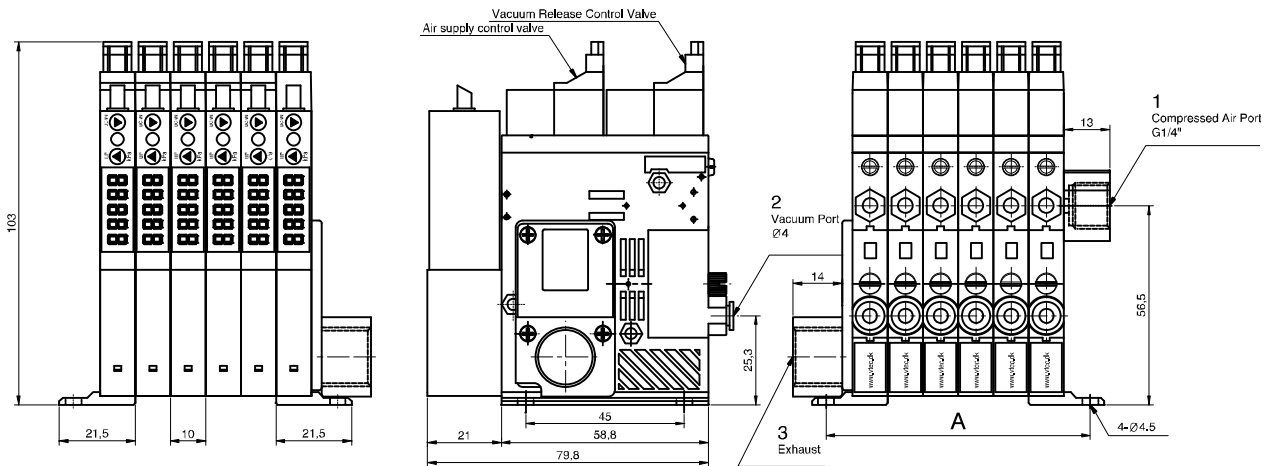
[ Measure unit : inch ]

## Dimensional Information

### Manifold unit



### Manifold unit with central exhaust unit



[ Measure unit : mm ]

Stack	A (mm)
2stack	35
3stack	45
4stack	55
5stack	65
6stack	75
7stack	85
8stack	95
9stack	105
10stack	115

VACUUM PUMPS