

## VTC 3032 / 3022 Series

- Max. vacuum level : -93 kPa (-27.46 inHg)
- Max. flow rate : 688 NI/min (24.3 scfm)
- Supply air pressure : 3 ~ 6 bar, max 7 bar  
(43.5~87 psi, max 101.5 psi)
- Air consumption : 194~304 NI/min (6.85~10.74 scfm)
- Supply air type : Dry compressed air
- Working temperature : -20°C to +80°C
- Noise level : 50~60 dBA



### Main advantages

- Patented design.
- High operational reliability despite fluctuating or low compressed-air pressure.
- Integrated high dirt holding capacity pleated filter.
- VMECA Twofold Silencer<sup>PT</sup> assures low noise levels.
- Optional Air-Saving(AS) kit available to minimize energy consumption.
- Optional factory installed Air control/Vacuum release valves and Vacuum switch available.
- Compact size and light weight.
- Easily mountable and interchangeable vacuum cartridge.

### Order No.

## VTC 3032 - 2 - AS - A3 R3 - CL - S2 N V



#### ① Model

VTC 3022 - Two stage nozzle

- **VTC 3032(P)** - Three stage nozzle

※ Remark:..(P)

↳ G3/8"Exhaust Port

#### ② Filter element & Connection port

Material	Connection port
• <b>2</b> Polyester (PE)	BSP Thread(G)

#### ③ Air saving kit ( 108 )

No mark - Standard

- **AS** - Air saving kit

#### ④ Voltage of air supply control valve

A1 - AC110V

A2 - AC220V

- **A3** - DC24V

D1\* - AC110V

D2\* - AC220V

D3\* - DC24V

\* D. . : Double solenoid valve is available only with 'DN' or 'DL', section ⑥

#### ⑤ Voltage of vacuum release control valve

R1 - AC110V

R2 - AC220V

- **R3** - DC24V

#### ⑥ Solenoid Terminal

DN - DIN type without lead wire

DL - DIN type with lamp without lead wire

- **CL\*** - Connector type with lamp & 0.3 m lead wire

2B\* - DIN type with '2 in 1' BUS cable  
(Air control v/v + Vacuum release v/v)

3B\* - DIN type with '3 in 1' BUS cable  
(Air control v/v + Vacuum release v/v + Digital switch)

\* Can not available with double solenoid valve

※ Remark

CL : Available only with DC24V

3B : Available only with DC24V

Available only with 'S2' or 'S2P', section ⑦

☞ About 'BUS cable' ( 340, 341 )

#### ⑦ Vacuum switch

No mark - Vacuum gauge.

- **S2(P)** - Digital display output 2points, No analog supply M8-4Pin Connector type 0.3m lead wire.

SG2(P) - Digital display output 2 points, No analog supply Grommet type 4-Core 2m lead wire.

SG3(P) - Digital display output 2 points, Analog supply Grommet type 5-Core 2m lead wire.

※ Remark: ① S..(P)

↳ Output type :PNP open collector

② VCM8 42 : M8-4Pin connector wire.  
Only for type S2 or S2(P).

#### ⑧ Non-return valve

No mark - Standard

- **N** - Non-return valve.

#### ⑨ Sealing

No mark - Standard

- **V** - Viton<sup>®</sup>

**E** - EPDM



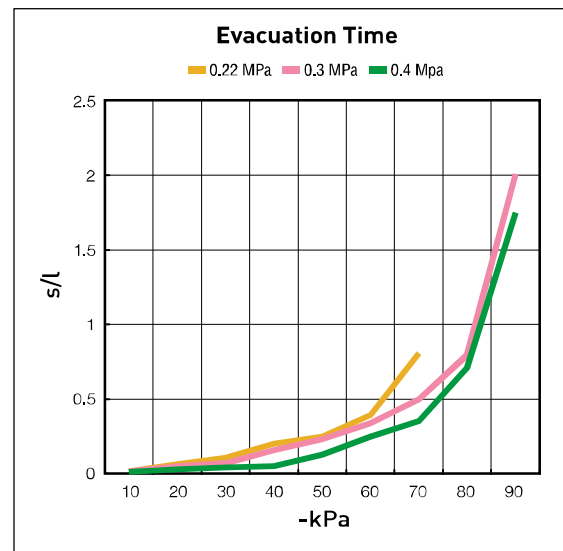
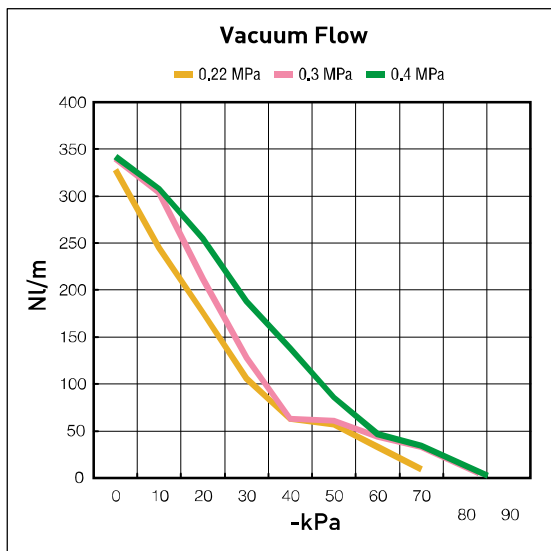
Performance Data

Model	MAX. Vacuum (-kPa)	Feed pressure (MPa)	Vacuum flow, NI/min, at different vacuum levels -kPa (-mmHg)									
			0 (0)	10 (75)	20 (150)	30 (225)	40 (300)	50 (375)	60 (450)	70 (525)	80 (600)	90 (675)
VTC3022..	75	0.22	328	245	176	106	62.8	57	33	9.2	-	-
	93	0.3	340	304	212	128	66	64	44	33	12.8	3.8
	93	0.4	342	308	255	188	138	86	46.6	34.6	13.8	4.2
VTC3032..	75	0.22	604	245	176	106	62.8	57	33	9.2	-	-
	93	0.3	676	304	212	128	66	64	44	33	12.8	3.8
	93	0.4	682	308	255	188	138	86	46.6	34.6	13.8	4.2

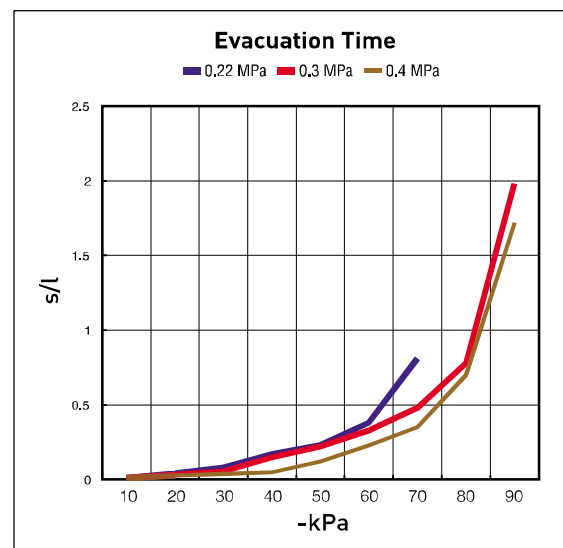
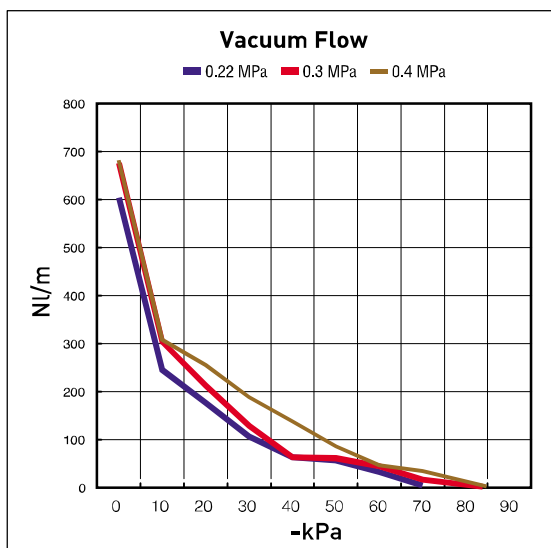
  

Model	Feed pressure (MPa)	Air consumption (NI/min)	Time, s/l, to evacuate a volume to different vacuum levels -kPa (-mmHg)									
			10 (75)	20 (150)	30 (225)	40 (300)	50 (375)	60 (450)	70 (525)	80 (600)	90 (675)	
VTC3022..	0.22	194	0.018	0.065	0.108	0.2	0.25	0.395	0.81	-	-	
	0.3	236	0.016	0.05	0.07	0.16	0.23	0.34	0.5	0.795	2.01	
	0.4	304	0.014	0.029	0.043	0.05	0.13	0.25	0.355	0.71	1.75	
VTC3032..	0.22	194	0.011	0.043	0.05	0.17	0.23	0.38	0.81	-	-	
	0.3	236	0.01	0.032	0.055	0.15	0.22	0.33	0.48	0.78	1.98	
	0.4	304	0.01	0.026	0.037	0.047	0.12	0.23	0.35	0.7	1.72	

▼ VTC-3022..



▼ VTC-3032..



VACUUM PUMPS

## VTCL 3032 / 3022 Series

- Max. vacuum level : -75 kPa (-22.15 inHg)
- Max. flow rate : 724 NI/min (25.57 scfm)
- Supply air pressure : 4 ~ 6 bar, max 7 bar  
(58~87 psi, max 101.5 psi)
- Air consumption : 140~208 NI/min (4.94~7.35 scfm)
- Supply air type : Dry compressed air
- Working temperature : -20°C to +80°C
- Noise level : 50~60 dBA



### Main advantages

- Patented design.
- High operational reliability despite fluctuating or low compressed-air pressure.
- Integrated high dirt holding capacity pleated filter.
- VMECA Twofold Silencer<sup>PT</sup> assures low noise levels.
- Optional Air-Saving(AS) kit available to minimize energy consumption.
- Optional factory installed Air control/Vacuum release valves and Vacuum switch available.
- Compact size and light weight.
- Easily mountable and interchangeable vacuum cartridge.

### Order No.

**VTCL 3032 - 2 - AS - A3 R3 - CL - S2 N V**

① ② ③ ④ ⑤ ⑥ ⑦ ⑧ ⑨

#### ① Model

VTCL 3022 - Two stage nozzle

- **VTCL 3032(P)** - Three stage nozzle

※ Remark:..(P)

↳ G3/8"Exhaust Port

#### ② Filter element & Connection port

Material	Connection port
• <b>2</b> Polyester (PE)	BSP Thread(G)

#### ③ Air saving kit ( 108)

No mark - Standard

- **AS** - Air saving kit

#### ④ Voltage of air supply control valve

A1 - AC110V

A2 - AC220V

- **A3** - DC24V

D1\* - AC110V

D2\* - AC220V

D3\* - DC24V

\* D. : Double solenoid valve is available only with 'DN' or 'DL', section ⑥

#### ⑤ Voltage of vacuum release control valve

R1 - AC110V

R2 - AC220V

- **R3** - DC24V

#### ⑥ Solenoid Terminal

DN - DIN type without lead wire

DL - DIN type with lamp without lead wire

- **CL\*** - Connector type with lamp & 0.3 m lead wire

2B\* - DIN type with '2 in 1' BUS cable  
(Air control v/v + Vacuum release v/v)

3B\* - DIN type with '3 in 1' BUS cable  
(Air control v/v + Vacuum release v/v + Digital switch)

\* Can not available with double solenoid valve

※ Remark

CL : Available only with DC24V

3B : Available only with DC24V

Available only with 'S2' or 'S2P', section ⑦

☞ About 'BUS cable' (  340, 341)

#### ⑦ Vacuum switch

No mark - Vacuum gauge.

- **S2(P)** - Digital display output 2points, No analog supply M8-4Pin Connector type 0.3m lead wire.

SG2(P) - Digital display output 2 points, No analog supply Grommet type 4-Core 2m lead wire.

SG3(P) - Digital display output 2 points, Analog supply Grommet type 5-Core 2m lead wire.

※ Remark: ① S..(P)

↳ Output type :PNP open collector

② VCM8 42 : M8-4Pin connector wire.  
Only for type S2 or S2(P).

#### ⑧ Non-return valve

No mark - Standard

- **N** - Non-return valve.

#### ⑨ Sealing

No mark - Standard

- **V** - Viton<sup>®</sup>

**E** - EPDM

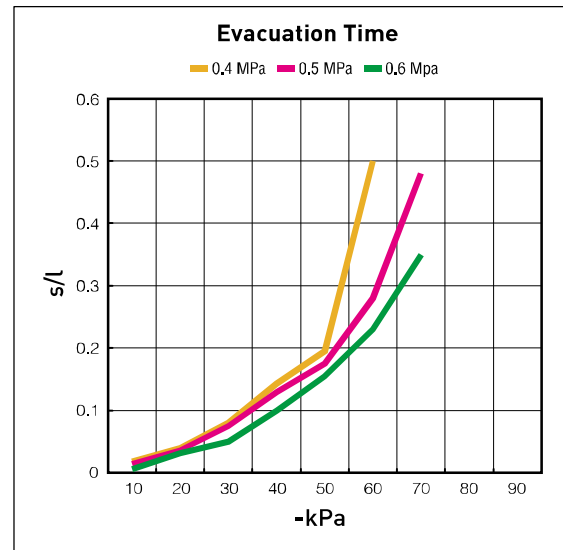
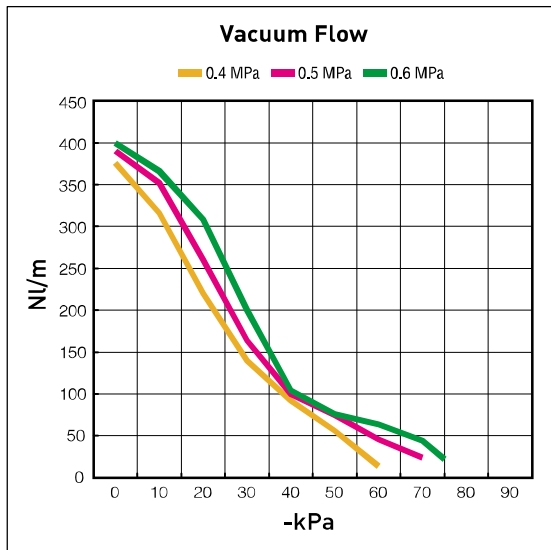


Performance Data

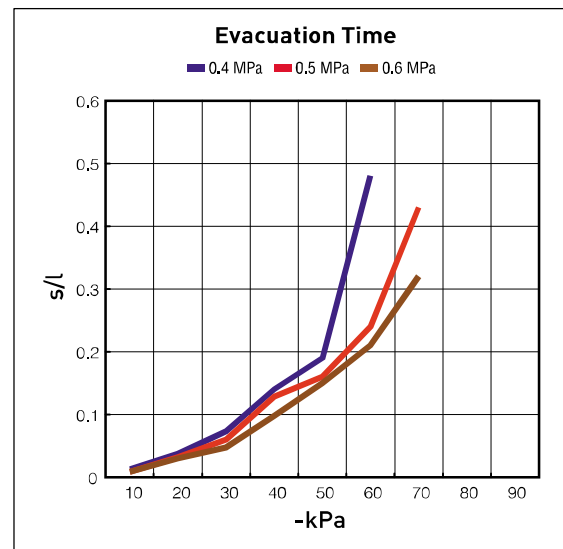
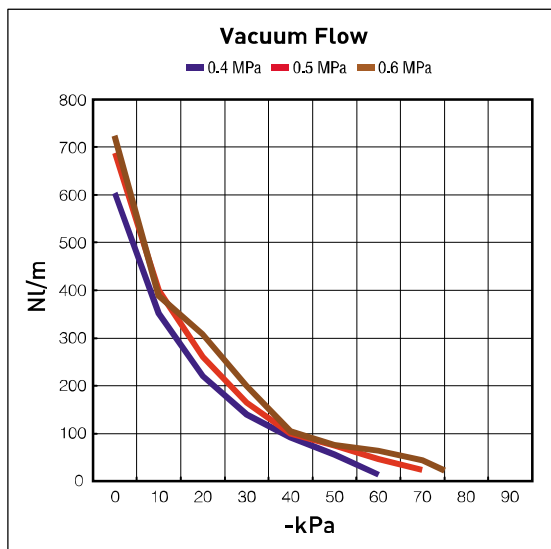
Model	MAX. Vacuum (-kPa)	Feed pressure (MPa)	Vacuum flow, NI/min, at different vacuum levels -kPa (-mmHg)									
			0 (0)	10 (75)	20 (150)	30 (225)	40 (300)	50 (375)	60 (450)	70 (525)	80 (600)	90 (675)
VTCL3022..	60	0.4	376	316	220	140	92	56	13.6	-	-	-
	70	0.5	390	352	260	164	100	75	46	23.8	-	-
	75	0.6	400	366	308	200	104	76	64	44	-	-
VTCL3032..	60	0.4	604	352	220	140	92	56	13.6	-	-	-
	70	0.5	688	392	260	164	100	75	46	23.8	-	-
	75	0.6	724	415	308	200	104	76	64	44	-	-

Model	Feed pressure (MPa)	Air consumption (NI/min)	Time, s/l, to evacuate a volume to different vacuum levels -kPa (-mmHg)								
			10 (75)	20 (150)	30 (225)	40 (300)	50 (375)	60 (450)	70 (525)	80 (600)	90 (675)
VTCL3022	0.4	140	0.018	0.04	0.08	0.145	0.195	0.5	-	-	-
	0.5	170	0.014	0.036	0.075	0.125	0.15	0.2	0.4	-	-
	0.6	208	0.013	0.032	0.06	0.1	0.155	0.18	0.35	-	-
VTCL3032	0.4	140	0.013	0.037	0.073	0.14	0.19	0.45	-	-	-
	0.5	170	0.009	0.032	0.06	0.128	0.16	0.25	0.43	-	-
	0.6	208	0.006	0.03	0.047	0.098	0.15	0.2	0.32	-	-

▼ VTCL-3022..



▼ VTCL-3032..



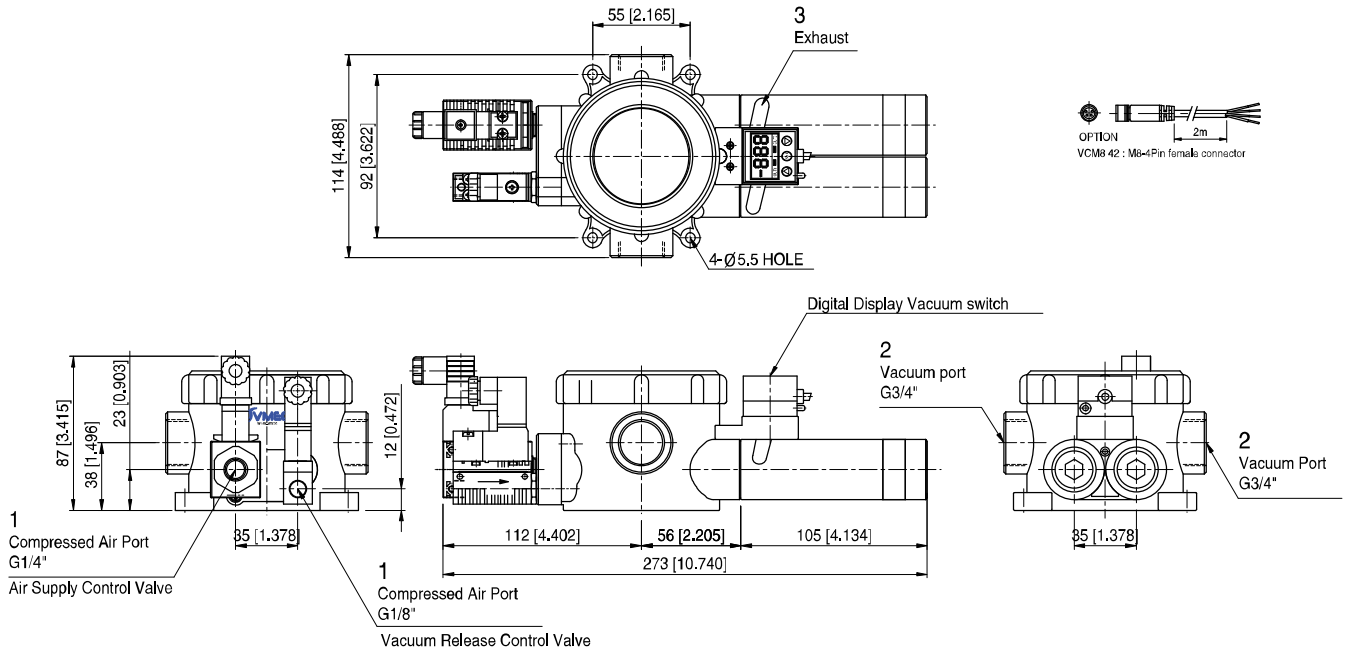
VACUUM PUMPS



**Dimensional Information**

With Air Control valve, Vacuum Release Control valve and Digital Vacuum Switch

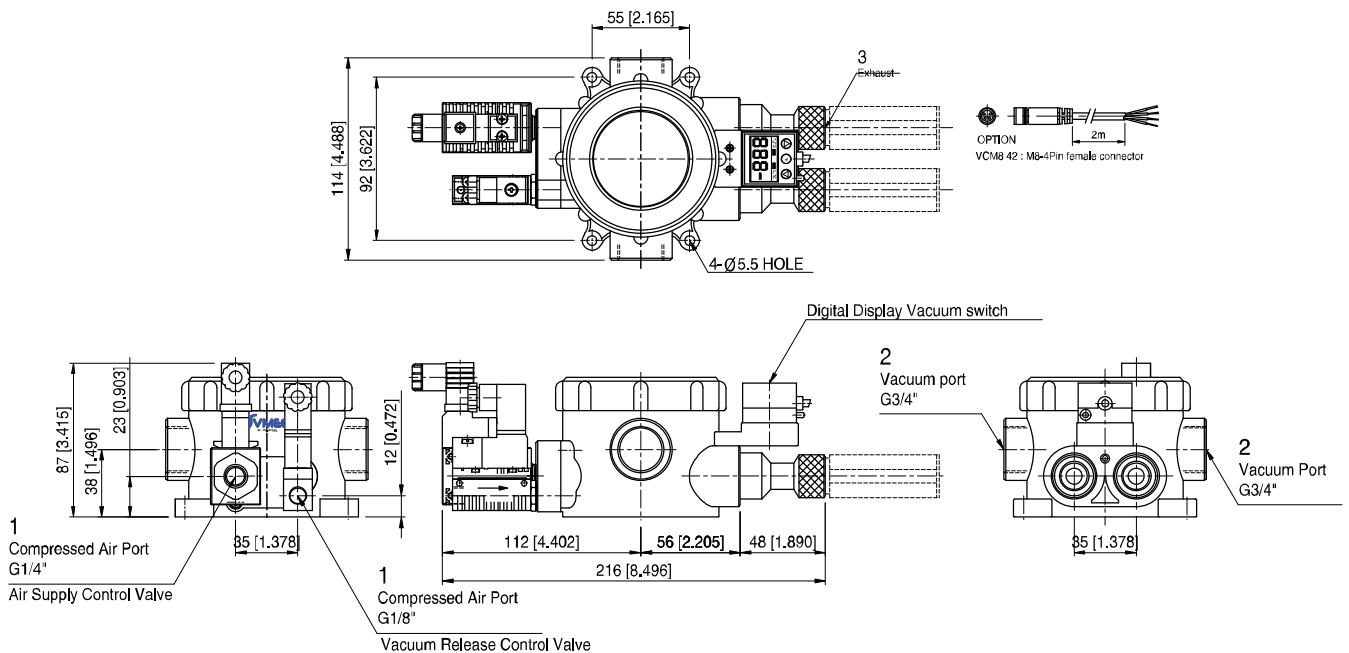
**VTC 3032.. / VTCL 3032..**



Measure unit : mm [in]

With Air Control valve, Vacuum Release Control valve and Digital Vacuum Switch

**VTC 3022.. / VTCL 3022..**

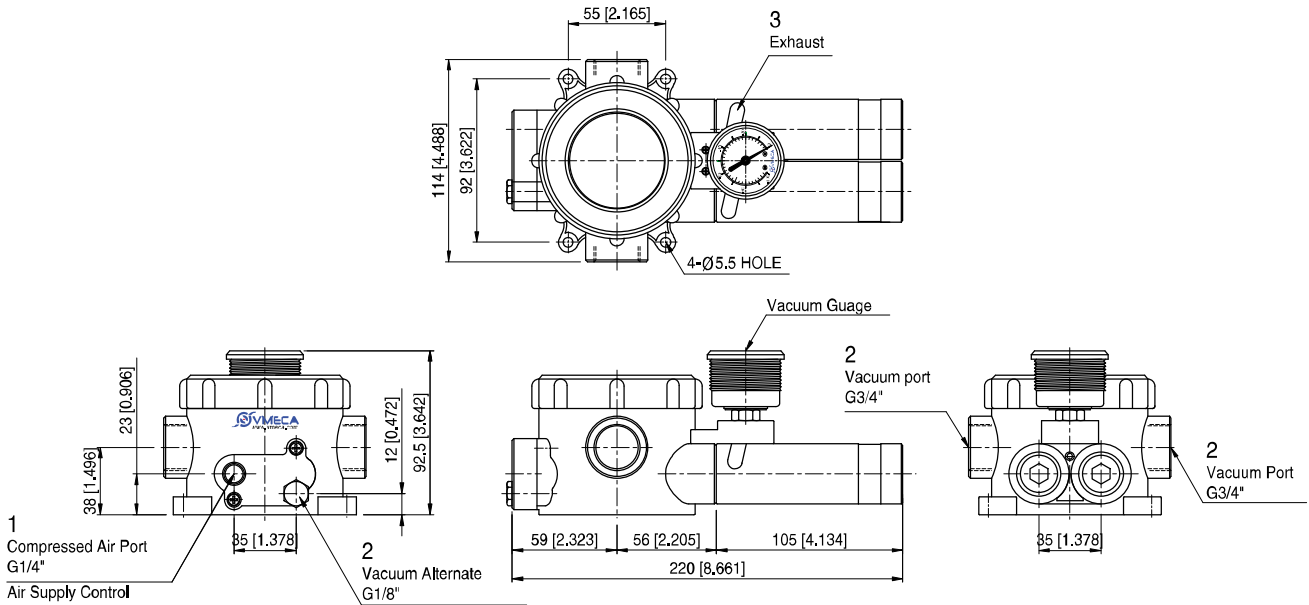


Measure unit : mm [in]

**Dimensional Information**

Standard

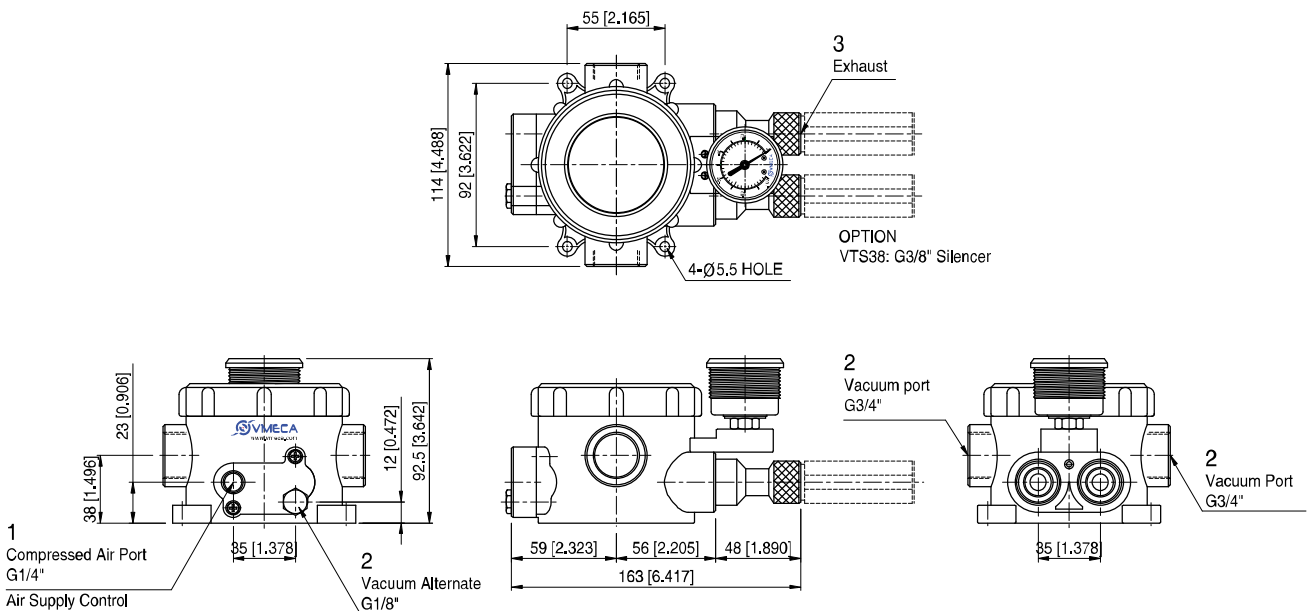
**VTC 3032.. / VTCL 3032..**



Measure unit : mm [in]

Standard

**VTC 3022.. / VTCL 3022..**



Measure unit : mm [in]